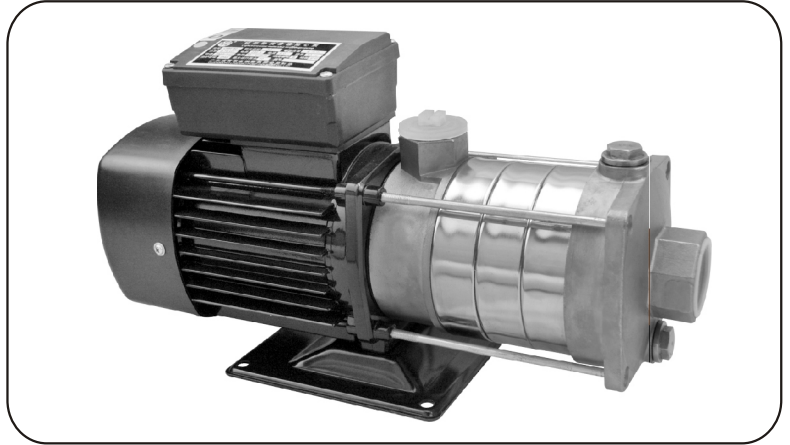


HORIZONTAL MULTI-STAGE CENTRIFUGAL PUMP MANUAL INSTRUCTION



Application

HM series are mini horizontal centrifugal pump, have a wide application in domestic water supply, industry and constructions.

They are used for:

- Air-conditioning system
- Cooling system
- Industrial cleaning, conveyance and circulation of liquid.
- Water treatment (Water purification)
- Domestic water supply
- Boosting, environment
- Many other special using.

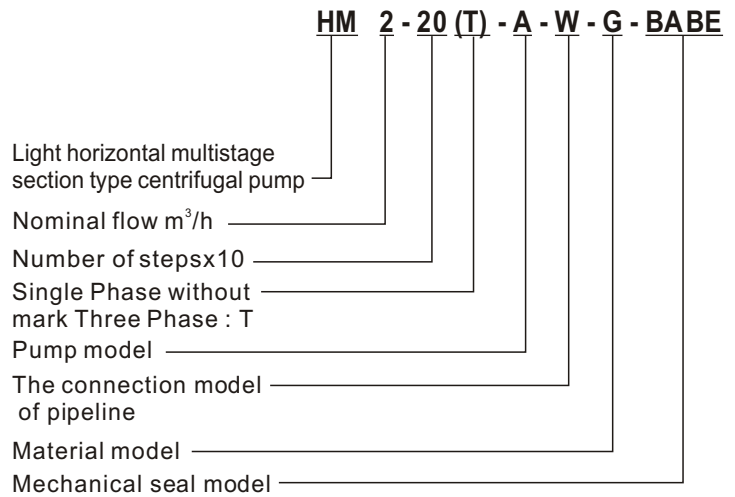
Working conditions

- Diluted, clean, non-flammable, and non-explosive
- liquid without solid grain or fibers ;
- Liquid temperature :
low temperature: -20°C ~ +15°C;
standard model: +15°C ~ +70°C;
high temperature: +70°C ~ +104°C;
- Max. environmental temperature: 50°C
- Max. operating pressure: 10 bar
- Max. suction pressure is limited by max. Operating pressure

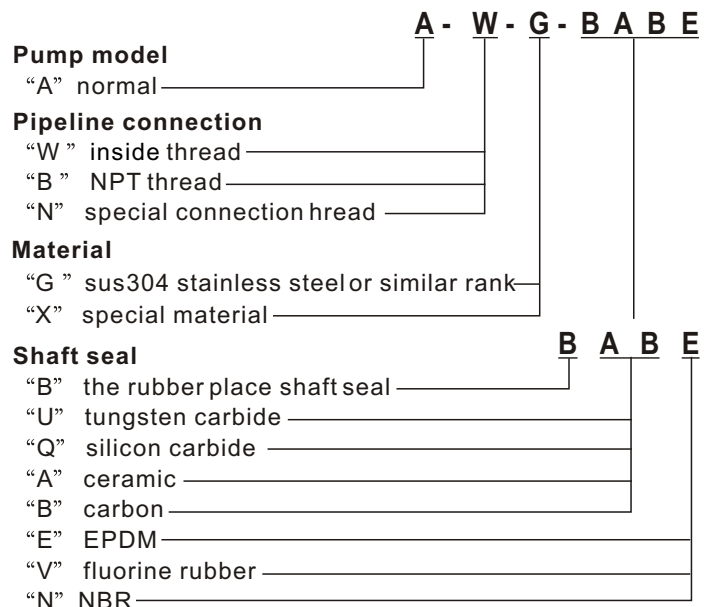
Motor

- 2-pole induction motor;
- three-phase: 220/380V/50Hz
- Single-phase: 220~240V/50Hz
- Single-phase with input thermal protector
- Insulation class: F
- Protection: IP55
- Continuous duty

Connotation of the type



code number explanation



Performance table

Model		Driving motor P ₂ (kW)	Q (m ³ /h)	H (m)					
Single Phase	Three Phase			1.0	1.5	2.0	2.5	3.0	3.5
HM2-20	HM2-20T	0.37	H (m)	18	16	14	13	11	10
HM2-30	HM2-30T	0.37		27	24	21	20	17	14
HM2-40	HM2-40T	0.55		35	32	28	26	23	17
HM2-50	HM2-50T	0.55		43	40	35	33	28	22
HM2-60	HM2-60T	0.75		50	48	42	38	32	25

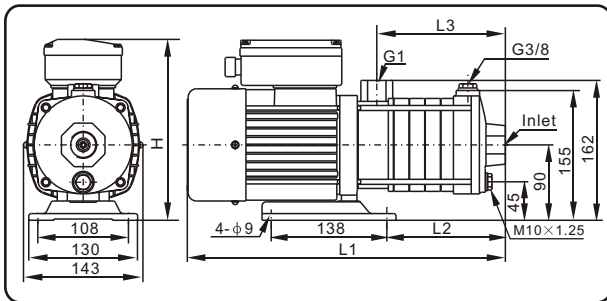
Model		Driving motor P ₂ (kW)	Q (m ³ /h)	H (m)					
Single Phase	Three Phase			2.0	3.0	4.0	5.0	6.0	7.0
HM4-20	HM4-20T	0.55	H (m)	18	16	15	13	10	7
HM4-30	HM4-30T	0.75		27	25	22	19	15	10
HM4-40	HM4-40T	0.75		36	33	30	26	20	13
HM4-50	HM4-50T	1.0		44	41	38	32	26	20
HM4-60	HM4-60T	1.1		53	50	45	40	33	24

Performance curve resource:

Performance curve are based on the following

1. Performance based on actual speed of standard motor.
2. Carrying on test by 20°C water without air.
3. Curve are suitable for delivering liquid
($\nu = 1\text{mm}^2/\text{s}$, $\rho = 1\text{g}/\text{cm}^3$).
4. The black curve are recommended performance, the small ones are only for reference.
5. Make sure pumps running not less than min-flow, to protect from burning due to growing heating.

Contour dimension and weight



Model	Size(mm)								Inlet
	Single Phase				Three Phase				
	L1	L2	L3	H	L1	L2	L3	H	
HM2-20(T)	326	90	100	216	326	90	100	194	G1
HM2-30(T)	344	108	118	216	344	108	118	194	
HM2-40(T)	362	126	136	216	362	126	136	194	
HM2-50(T)	380	144	154	216	380	144	154	194	
HM2-60(T)	398	162	172	216	398	162	172	194	
HM4-20(T)	335	99	109	216	335	99	109	194	G1 4
HM4-30(T)	362	126	136	216	362	126	136	194	
HM4-40(T)	389	153	163	216	389	153	163	194	
HM4-50(T)	416	180	190	216	415	180	190	194	
HM4-60(T)	443	207	217	216	443	207	217	194	

Performance curve

